

Inspection camera Gas Cam 003

Description and using

Gas Cam 003 is unique type of camera specially developed for inspection of gas pipelines.

It can easily reveal defects and impurities inside the pipeline.

Camera operates inside low and medium pressure gas pipelines up to 300kPa.

Monitoring takes place during the full operation of the gas pipeline.

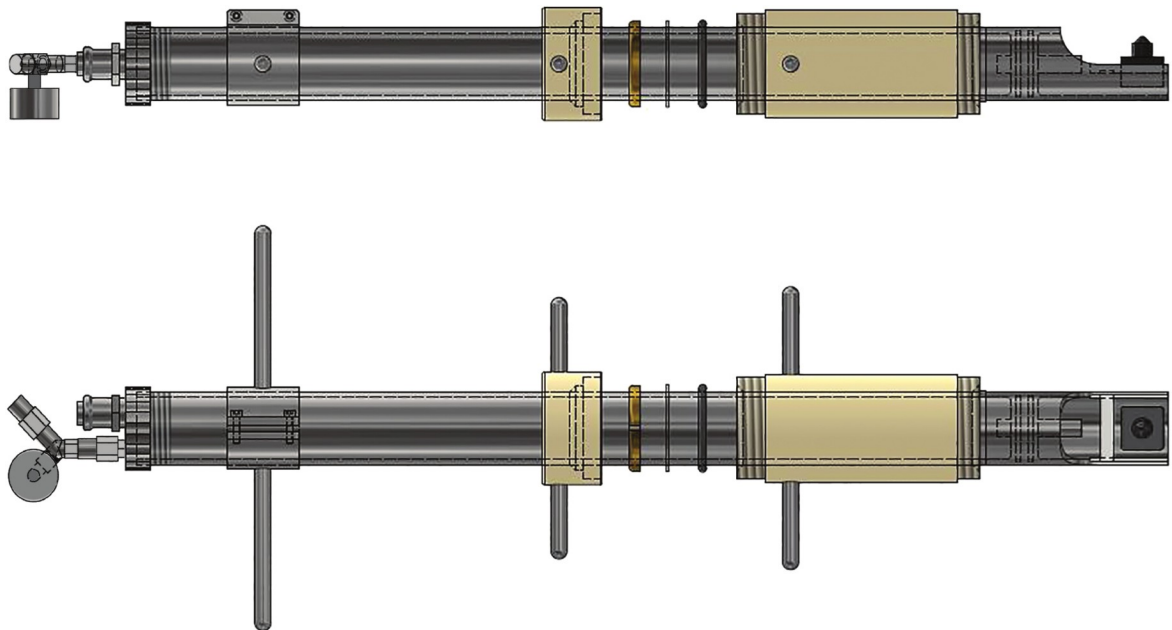
To insert into the pipeline, ball valve DN65 is required.

Device weights 8,1kg and uses 14,8V rechargeable battery to power up.

Camera is equipped with LED lighting, video is transmitted wirelessly using WIFI into computer (Windows is supported), tablet or smartphone (iOS and Android are supported).

Supported apps PSS Smart (for Windows) and DMSS (iOS and Android) allow to save video records or pictures.

3D model

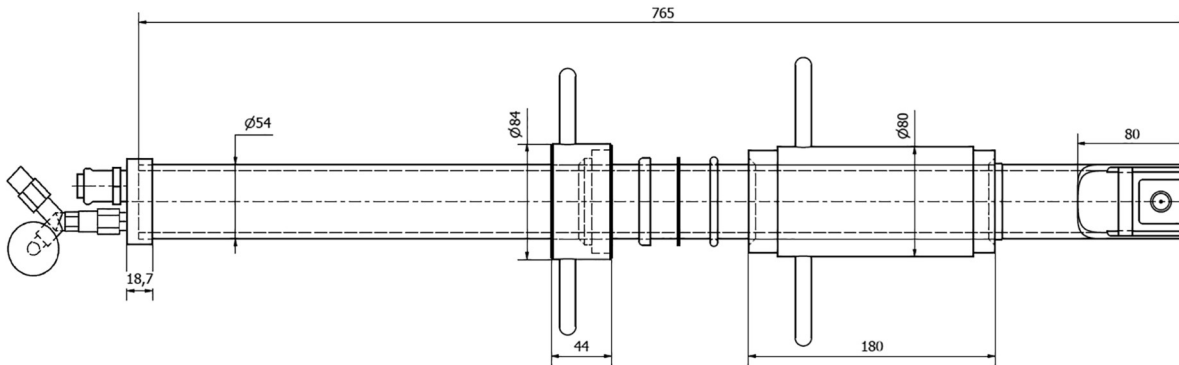


Description	Operable pressure (kPa)	Voltage (V)	Weight (kg)	Catalogue nr.
Gas Cam 003 - inspection camera	up to 300	14,8	8,1	GASCAM003

B028-01032023



Technical drawing



Camera records

Inpurities found in steel pipeline

